

THIS DRAWING PREPARED AT THE
Corporate Headquarters
 1001 Boilers Parkway | Richmond, VA 23225
 TEL: 804.200.6500 FAX: 804.560.1016 www.timmons.com

YOUR VISION ACHIEVED THROUGH OURS.

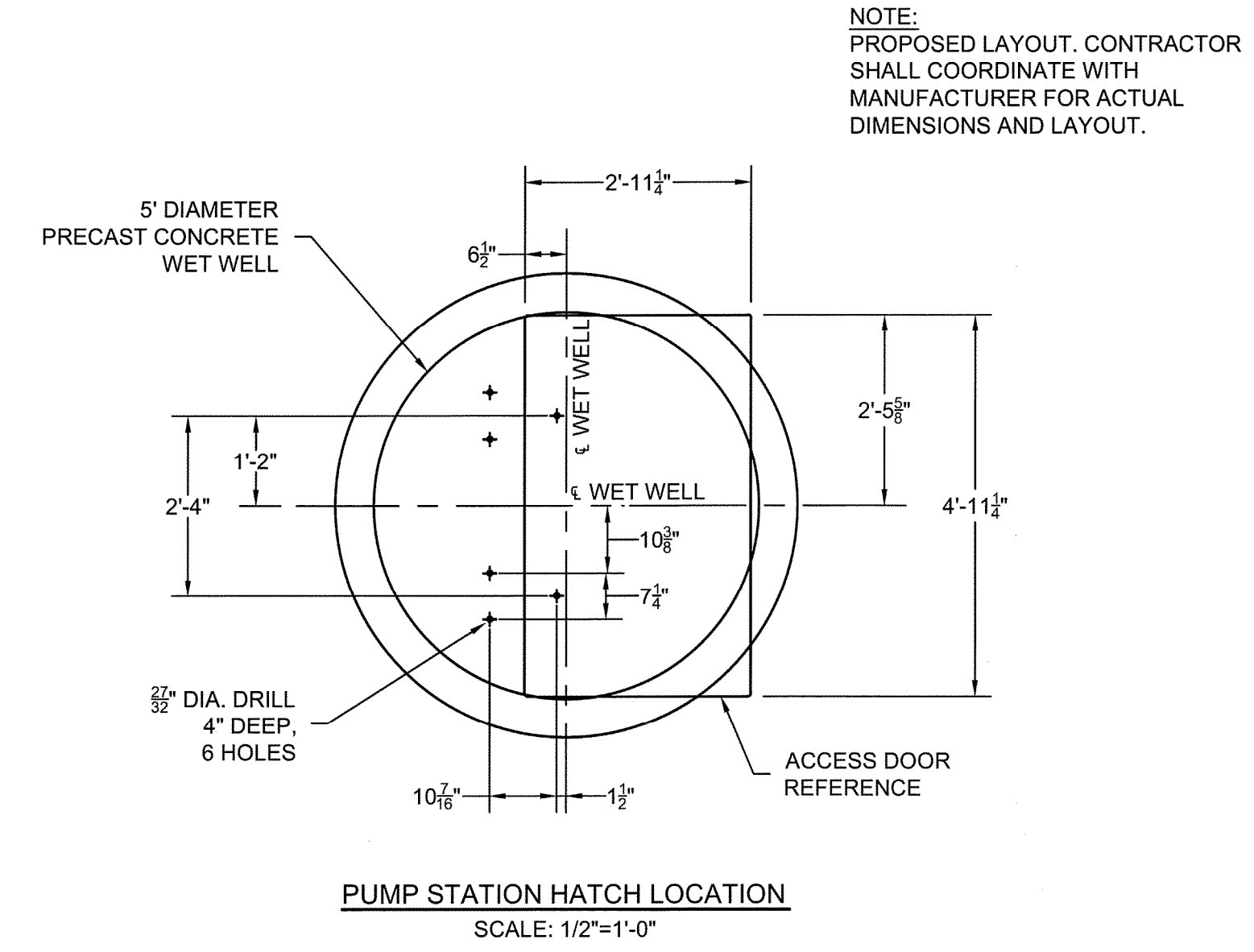
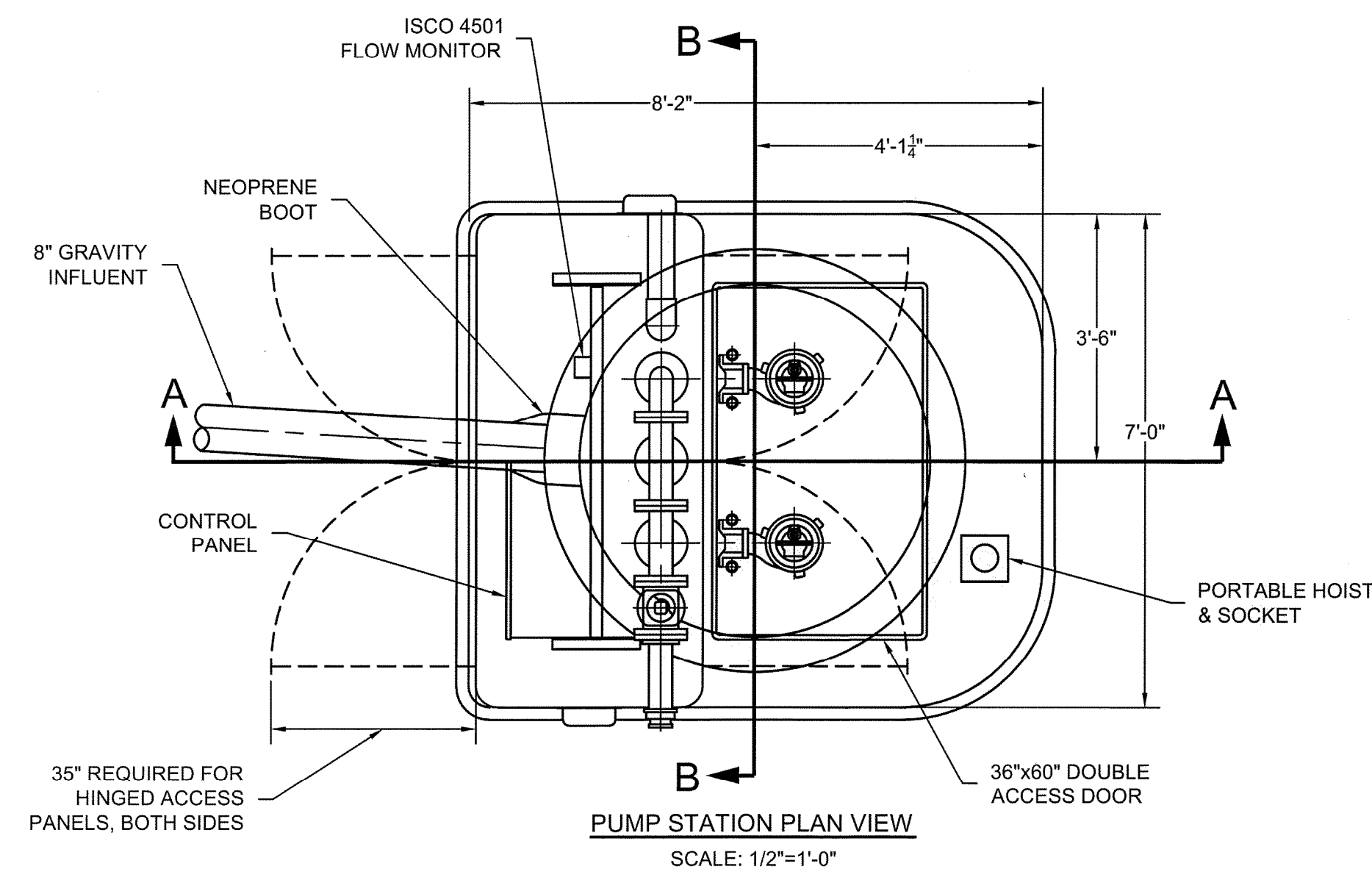
| DATE | REVISION DESCRIPTION |
|----------|------------------------------------|
| 08/13/09 | REVISED BASIS FOR FLOW CALCULATION |
| 1/21/13 | REVISED PER SITE PLAN CHANGES |

DATE: 07/16/09
 DRAWN BY: A.E.J.
 DESIGNED BY: A.E.J.
 CHECKED BY: W.G.H.
 SCALE: AS SHOWN

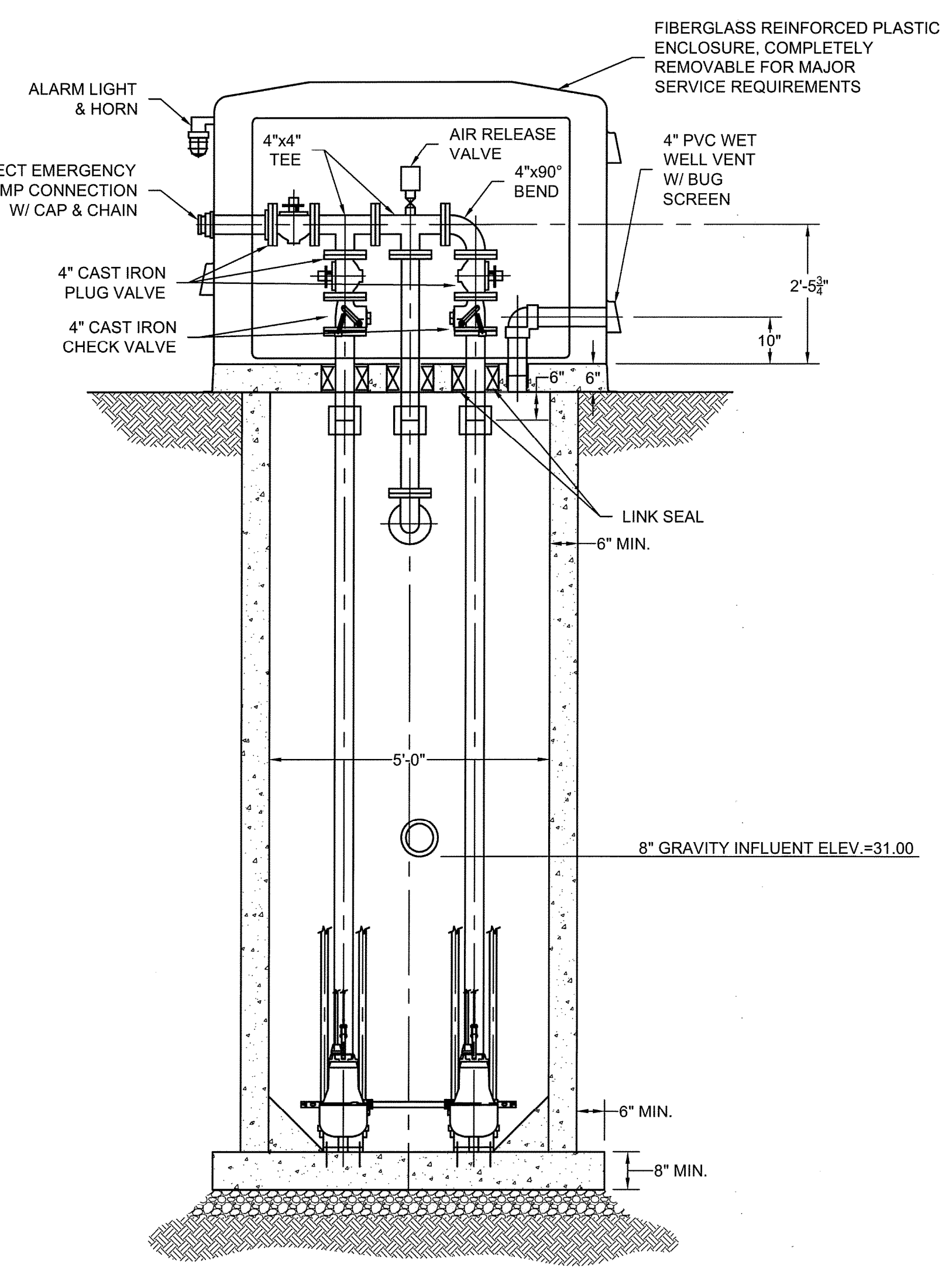
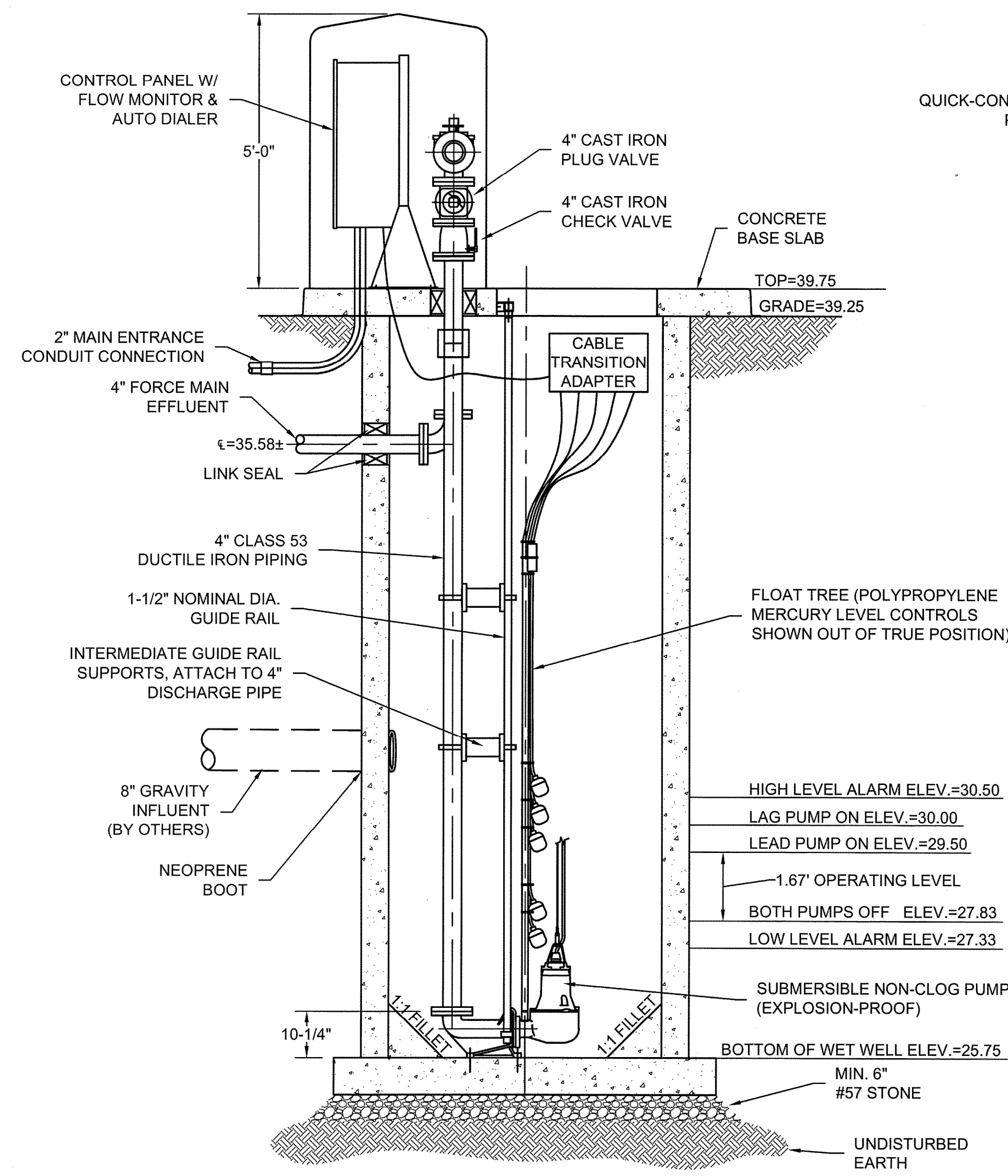
TIMMONS GROUP

PUDDLEDOCK PLACE PUMP STATION & FORCE MAIN
 BLAND DISTRICT - PRINCE GEORGE COUNTY, VIRGINIA
 PUMP STATION SITE PLAN

JOB NO. 27768
 SHEET NO. U1.1



NOTE:
 PROPOSED LAYOUT. CONTRACTOR SHALL COORDINATE WITH MANUFACTURER FOR ACTUAL DIMENSIONS AND LAYOUT.



ELECTRICAL NOTES:

- ALL ELECTRICAL DEVICES LOCATED IN THE WET WELL SHALL BE EXPLOSION-PROOF (CLASS 1, DIV 1).
- CONTRACTOR SHALL SUPPLY ALL EQUIPMENT REQUIRED TO PROVIDE FOR A COMPLETE OPERATING SYSTEM.
- ALL ENCLOSURES INSTALLED UNDER THIS CONTRACT SHALL BE PAD-LOCKABLE.
- ALL WIRE INSTALLED UNDER THIS CONTRACT SHALL BE COPPER.
- ALL EQUIPMENT SHALL BE INSTALLED IN ACCORDANCE WITH ALL APPLICABLE STATE AND LOCAL CODES AND REGULATIONS; AND THE RECOMMENDATIONS AND REQUIREMENTS OF THE EQUIPMENT MANUFACTURERS.
- NO ELECTRICAL SPLICES ALLOWED IN WET WELL.
- ALL EXTERIOR CONDUITS SHALL BE UNDERGROUND AND SHALL BE INSTALLED PER 1996 NEC TABLE 300-5 & TABLE 300-50 AND ARTICLE 300-6 (PROTECTION AGAINST CORROSION).
- PROVIDED AND INSTALL BONDING BUSHINGS ON ALL SERVICE CONNECTIONS, GROUNDING LOCKNUTS ON ALL PANEL CONNECTORS AND GAS SEALS ON ALL CONDUITS WHICH ENTER THE WET WELL.
- FLOATS SHALL BE POSITIONED TO PREVENT INFLUENT FLOW FROM AFFECTING PROPER OPERATION OF THE PUMP STATION.
- AN ELECTRICAL PERMIT ISSUED BY THE COUNTY'S DEPARTMENT OF CODE ADMINISTRATION IS REQUIRED.
- ALL EQUIPMENT MUST BE TESTED IN ACCORDANCE WITH THE NEC.

WETWELL NOTE:

- THE WETWELL SHALL BE CONSTRUCTED OF PRECAST CONCRETE. THE PRECAST SUPPLIER SHALL SIZE THE STRUCTURE TO ACCOUNT FOR THE ANTICIPATED LOADS, DEPTH AND FLOATION AND PROVIDE CALCULATIONS SIGNED BY A VIRGINIA LICENSED PROFESSIONAL ENGINEER WITH THE SUBMITTALS.

L:\2013\27768 - Puddledock Place FS\DWG\Sheet\CD\27768U-1-1-SECT.dwg | Plotted on 1/21/2013 3:59 PM | by Andrew Jones