

THIS DRAWING PREPARED AT THE
Corporate Headquarters
 1001 Boulders Parkway | Richmond, VA 23225
 TEL 804.200.6500 FAX 804.560.1016 www.timmons.com

DATE	REVISION DESCRIPTION
08/13/09	REVISED BASIS FOR FLOW CALCULATION
1/21/13	REVISED PER SITE PLAN CHANGES
DATE	
07/16/09	
DRAWN BY	A.E.J.
DESIGNED BY	A.E.J.
CHECKED BY	W.G.H.
SCALE	AS SHOWN

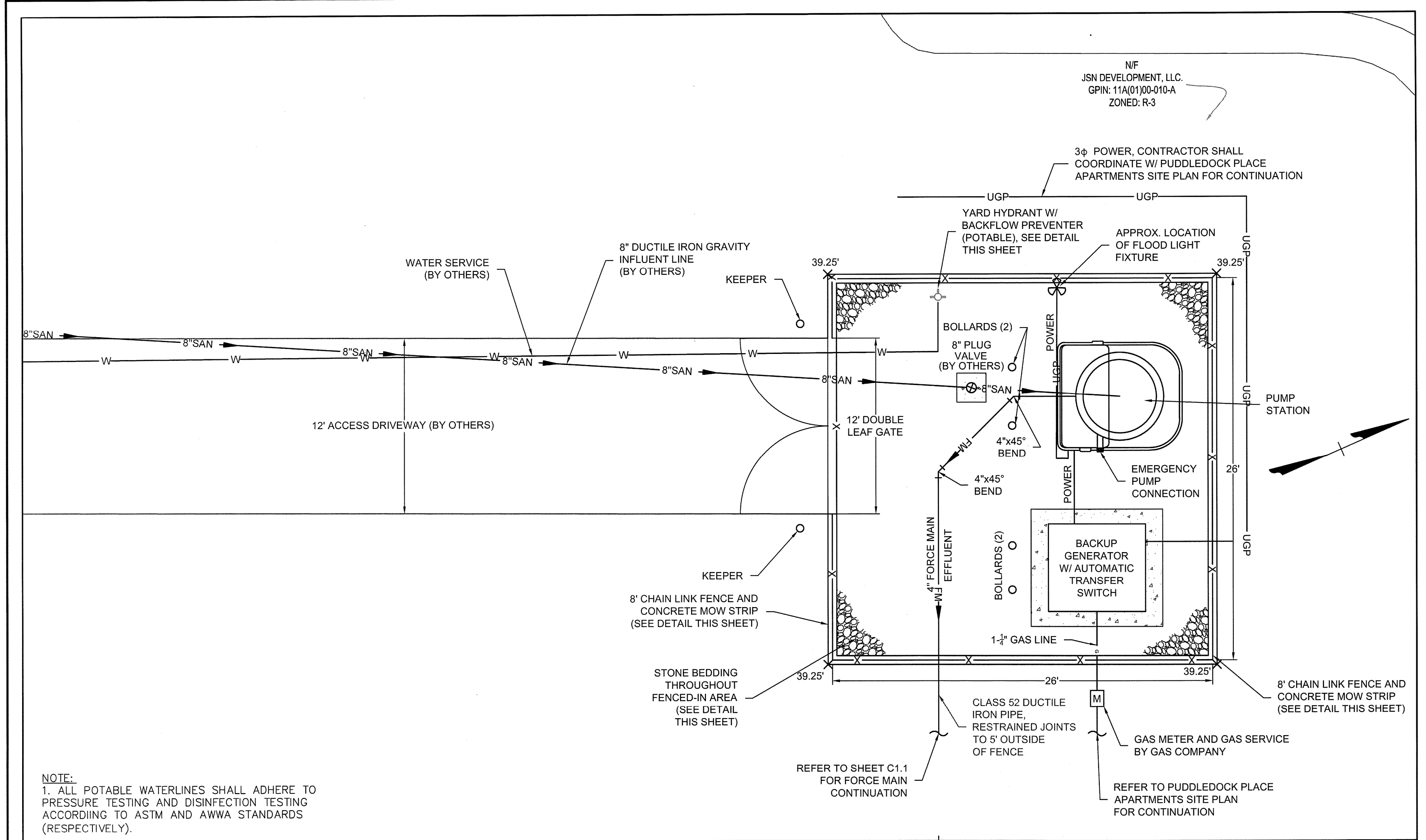
TIMMONS GROUP

BLAND DISTRICT - PRINCE GEORGE COUNTY, VIRGINIA

PUDDLEDOCK PLACE PUMP STATION & FORCE MAIN

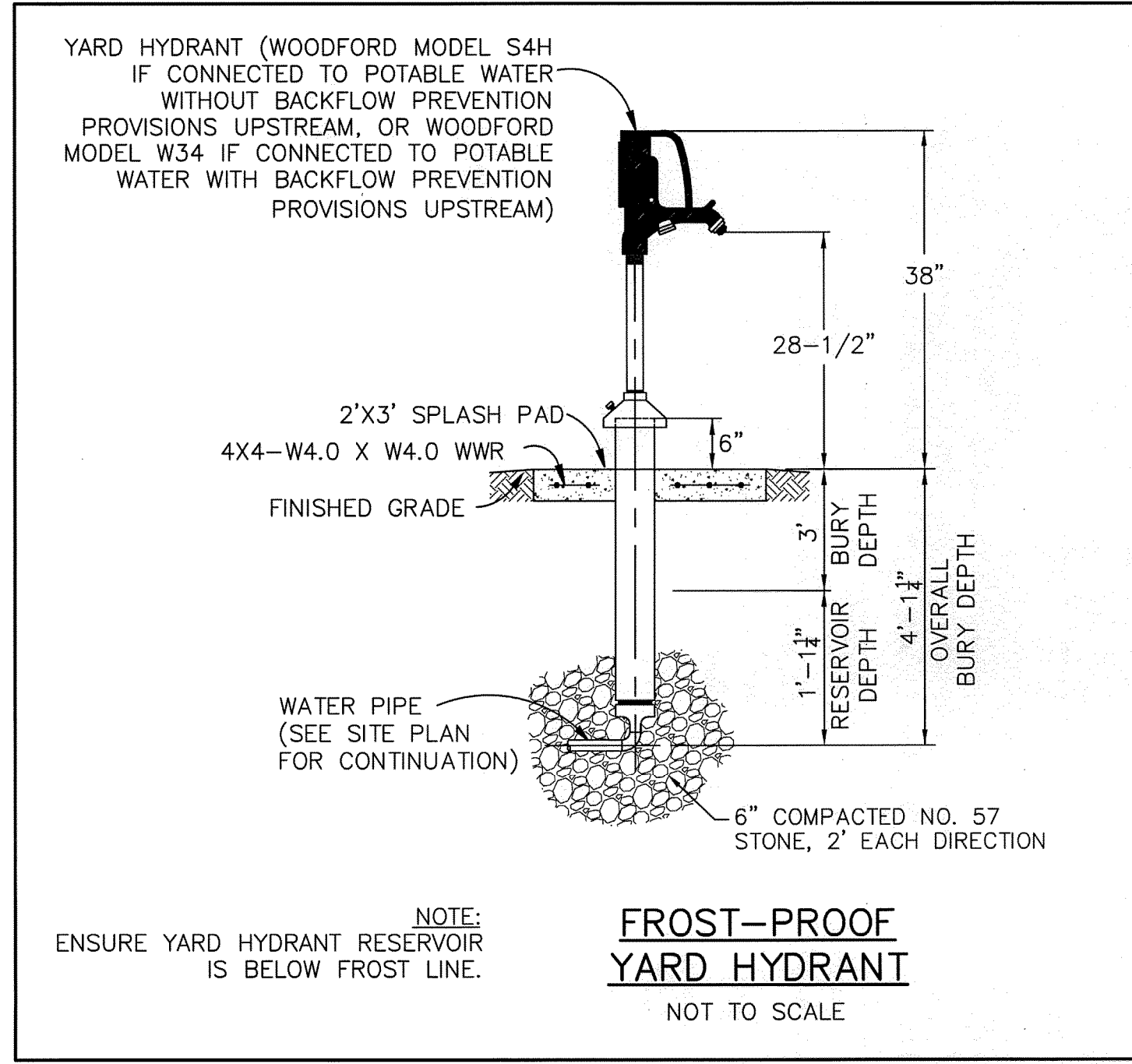
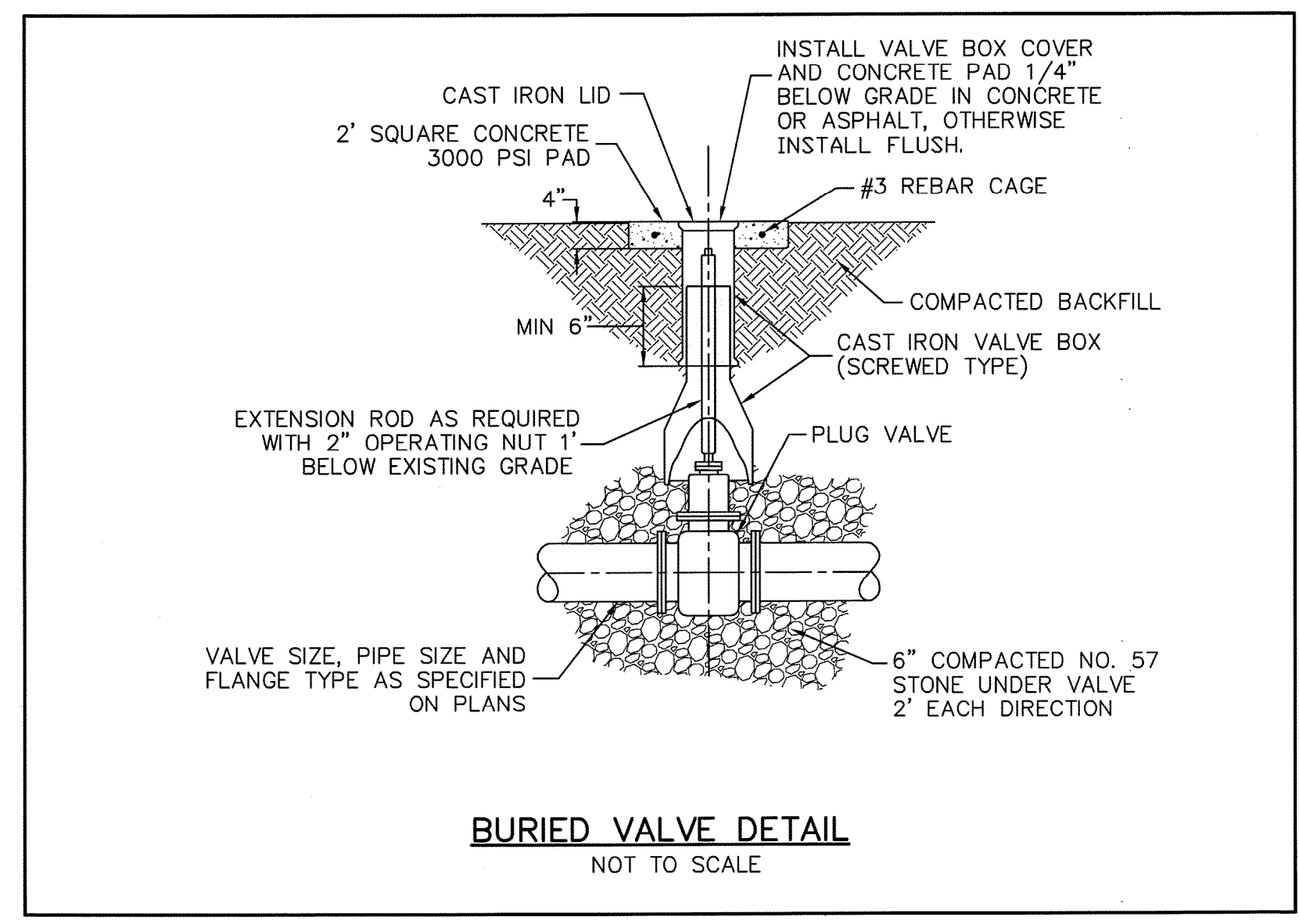
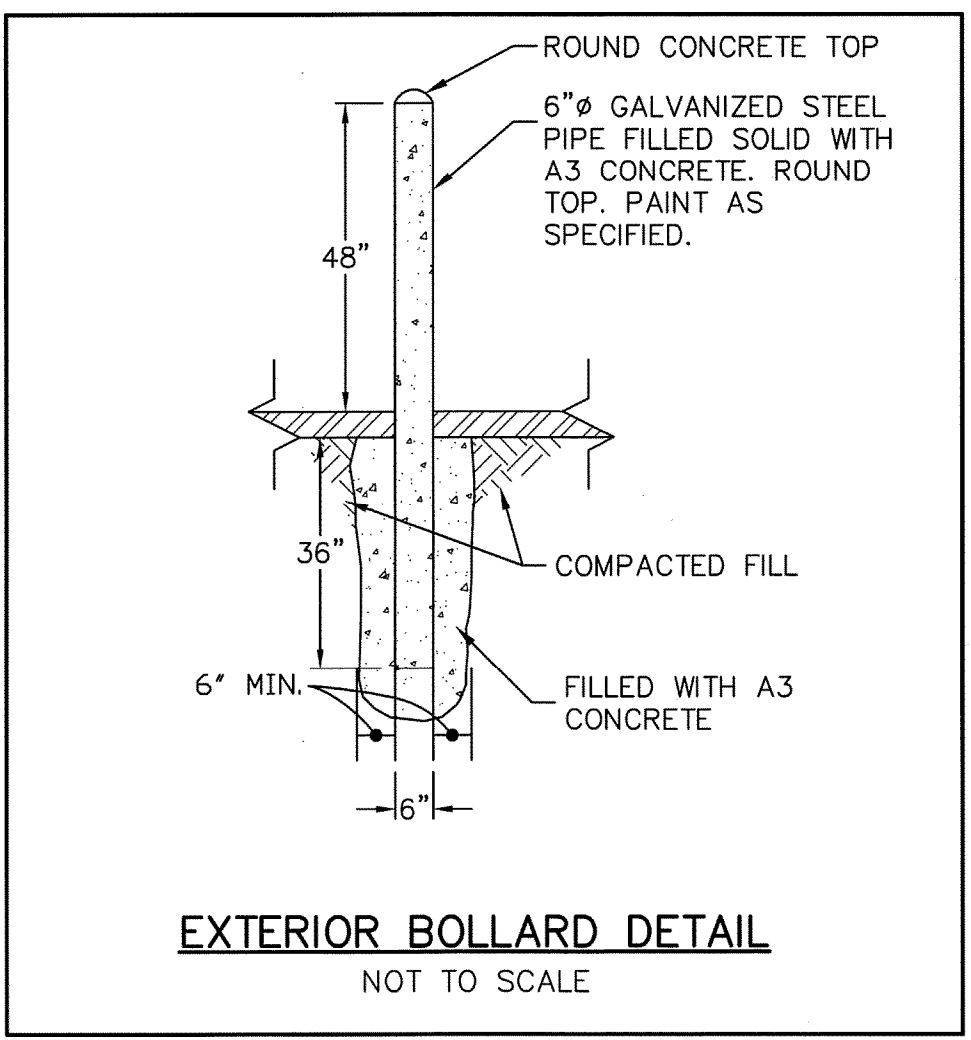
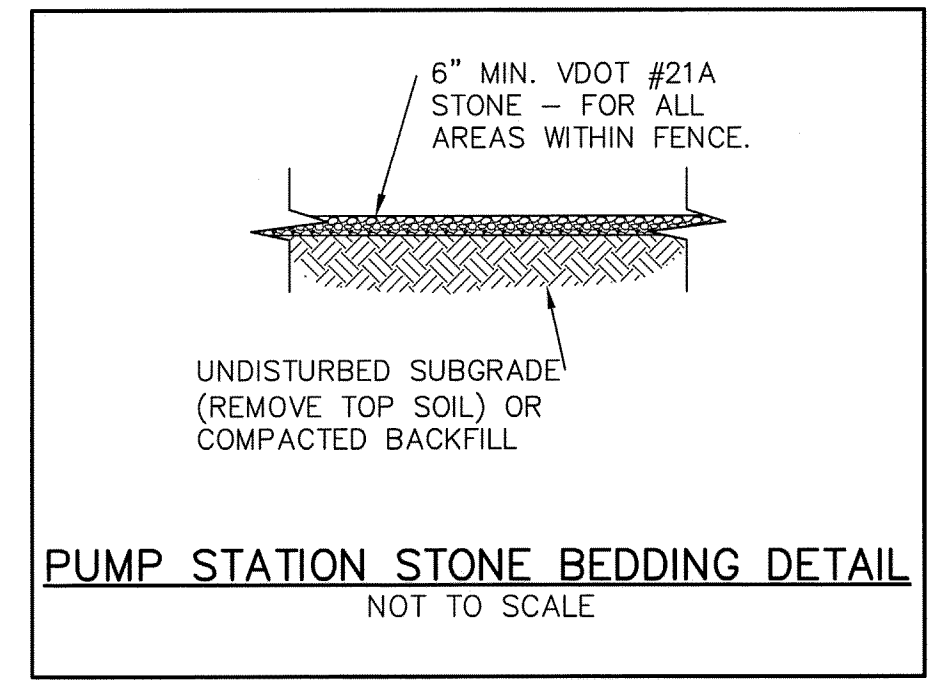
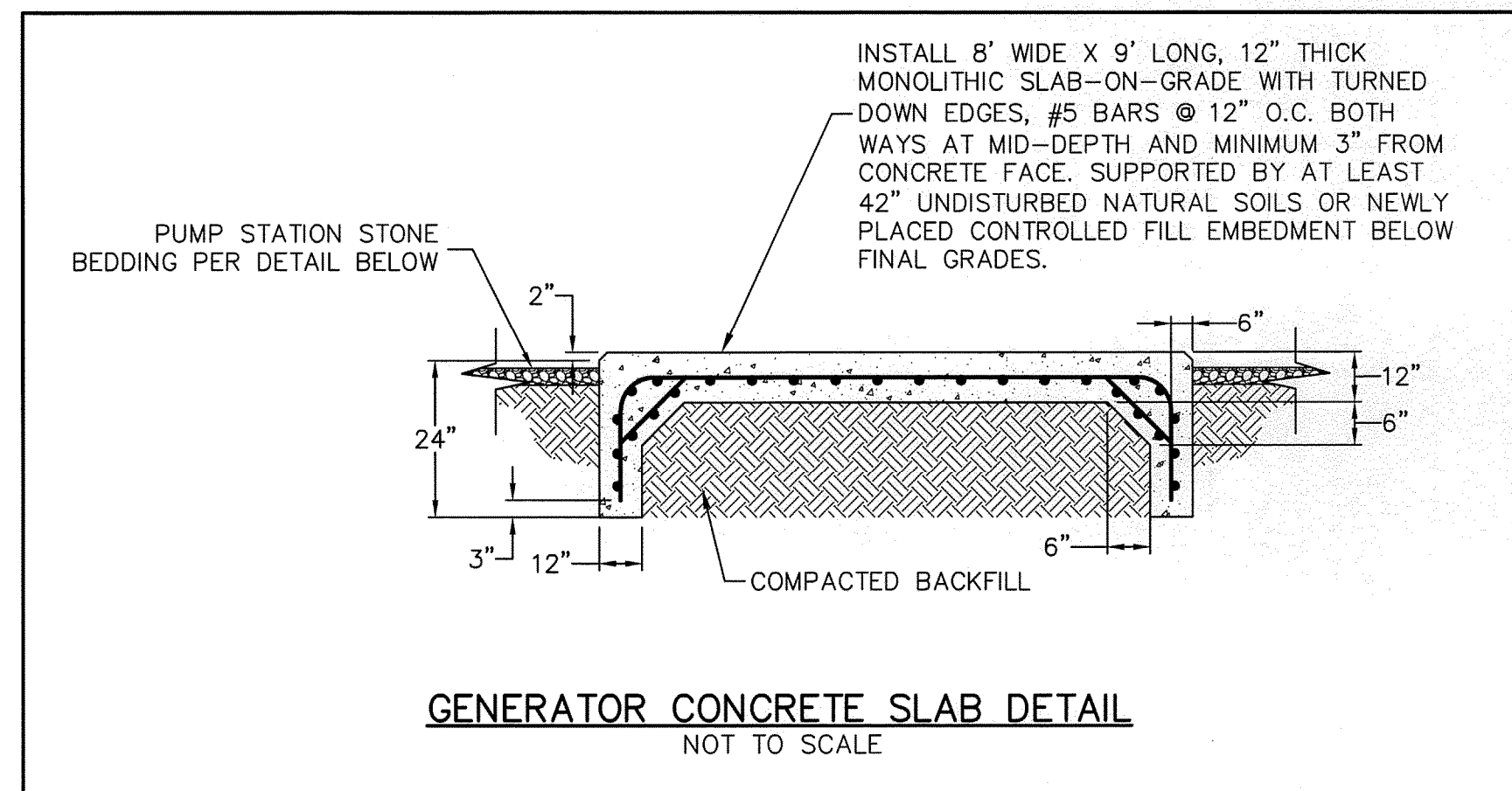
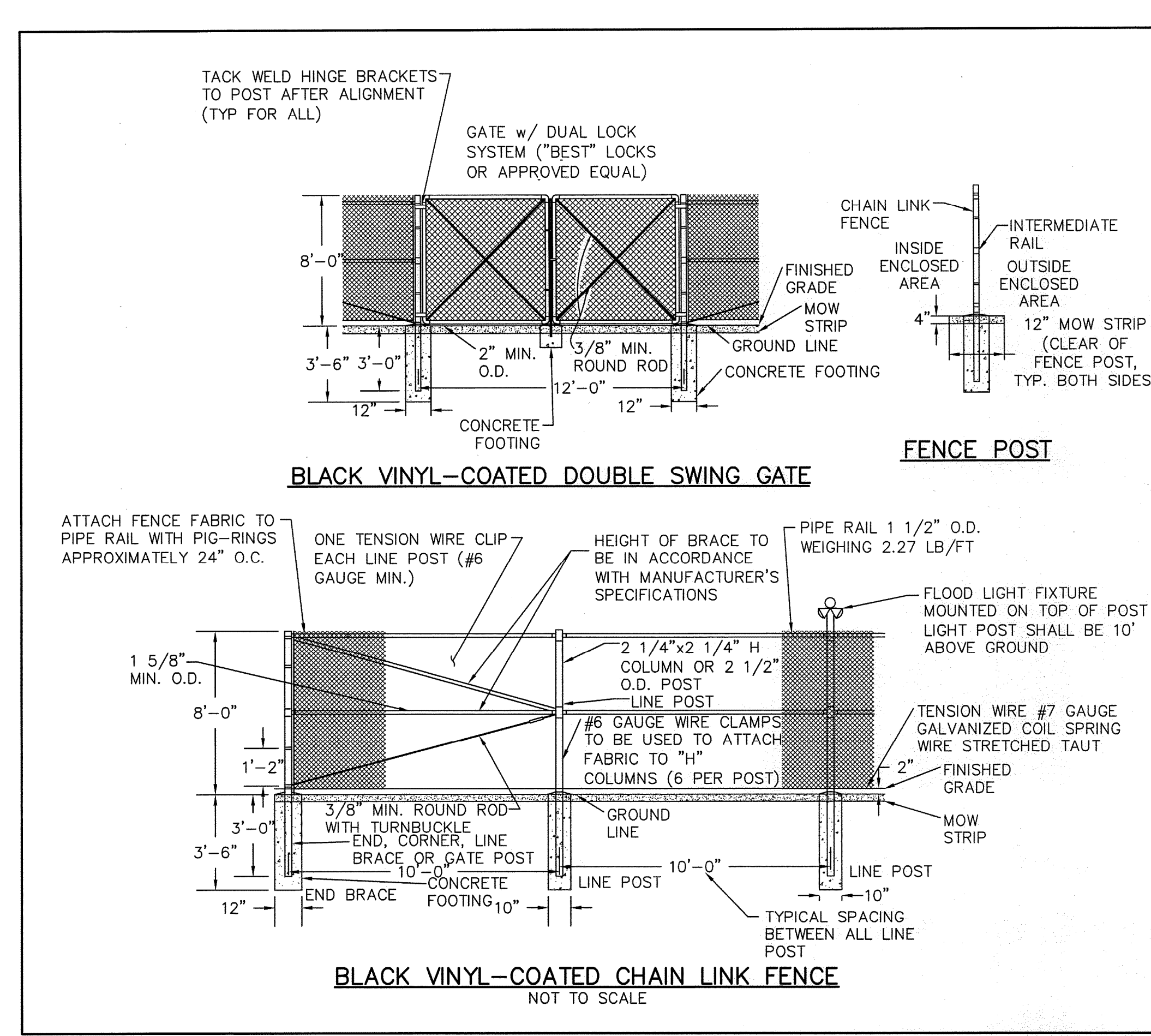
PUMP STATION SITE PLAN

JOB NO. 27768
 SHEET NO. U1.0



NOTE:
 1. ALL POTABLE WATERLINES SHALL ADHERE TO PRESSURE TESTING AND DISINFECTION TESTING ACCORDING TO ASTM AND AWWA STANDARDS (RESPECTIVELY).

NOTE: CONTRACTOR SHALL COORDINATE INSTALLATION OF THE ACCESS DRIVEWAY, WATER SERVICE, GRAVITY, AND OTHER APPURTENANCES WITH PUDDLEDOCK PLACE APARTMENTS SITE CONTRACTOR.



L:\201\27768 - Puddledock Place PS\DWG\Sheet\CD\20121218 - Further Revisions from Kathleen\27768U-1.0-SITE-1.dwg | Plotted on: 1/22/2013 3:17 PM | By: Andrew Jones